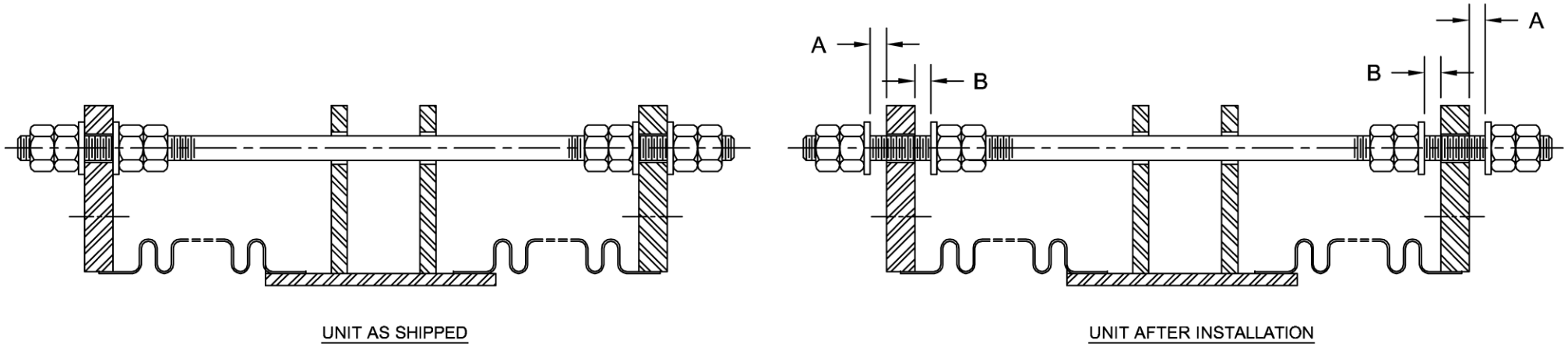


NOTICE: THIS DRAWING CONTAINS PROPRIETARY INFORMATION. IT SHALL NOT BE USED, REPRODUCED OR IT'S CONTENTS DISCLOSED, IN WHOLE OR IN PART, WITHOUT THE EXPRESS WRITTEN CONSENT OF UNAFLEX, INC.



TO ALLOW FOR AXIAL MOVEMENT OF THE EXPANSION JOINT, BACK OFF NUTS AS SPECIFIED BELOW:

DISTANCE "A": MAXIMUM EXTENSION THE UNIT DESIGNED FOR OR EXTENSION IMPOSED ON THE UNIT BY THE PIPING SYSTEM DIVIDED BY 2.

DISTANCE "B": MAXIMUM COMPRESSION THE UNIT DESIGNED FOR OR COMPRESSION IMPOSED ON THE UNIT BY THE PIPING SYSTEM DIVIDED BY 2.

**NOTES:**

1. WHEN IN DOUBT PLEASE CALL UNAFLEX.
2. IF THE UNIT SEES ANGULAR MOVEMENT, CONTACT UNAFLEX FOR SPACING
3. ATTENTION MUST BE GIVEN NOT TO DAMAGE THE BELLOWS WHILE SETTING THE NUTS.
4. DO NOT BACK OFF NUTS FOR AXIAL MOVEMENTS FOR PRESSURE BALANCED EXPANSION JOINTS.
5. DO NOT BACK OFF NUTS IF AXIAL MOVEMENT ABSORBED WITHIN RODS.
6. EXTENSION OR COMPRESSION IMPOSED ON THE UNIT BY THE PIPING SYSTEM MUST BE LESS THAN MAXIMUM EXTENSION OR COMPRESSION THE UNIT IS DESIGNED FOR.

INSTRUCTIONS FOR SPACING NUTS FOR DOUBLE EXPANSION JOINTS WITH CONTROL OR LIMIT RODS		SIZE B	REV. A
--	--	-----------	-----------

Excellence in Manufacturing  
 1715 US HIGHWAY 29 SOUTH  
 ANDERSON, SC 29626  
 TEL: (864) 222-1710 FAX: (864) 222-1306